



Arga Controls

BATTERY MONITOR VOLTAGE/GROUND FAULTS/ALARM OUTPUTS



Battery Voltage and AC Charger Power Monitoring

- Adjustable alarm threshold setpoints
- High/Low battery voltage alarms
- Open cell/AC charger malfunction alarm
- AC charger power loss alarm
- High accuracy ± 0.2 VDC
- Optional high-impedance corrosion detection alarm
- Optional 19" rack (Consult factory)

Ground Fault Detection/Location

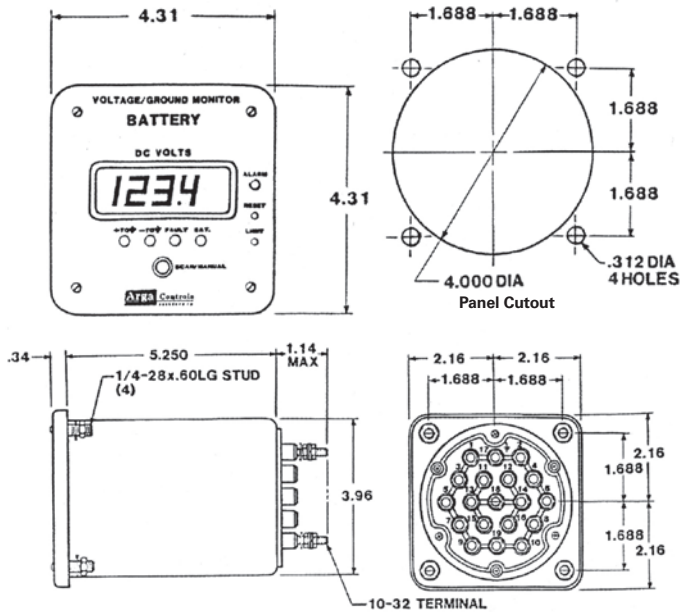
- Detects under/over voltage and +/- ground faults
- Optional pulser for locating ground faults with handheld detector

Serial Communications for Remote Monitoring and Reporting

- Remote monitoring capability
- Serial remote ground fault alarm reporting
- Optional digital/analog output for SCADA
- DNP3.0 or Modbus protocol
- Historical data for proactive maintenance



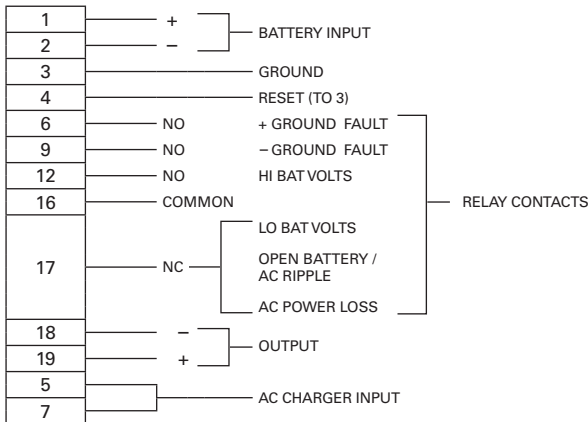
Dimensions



Battery Monitor: SPECIFICATIONS

- Battery Input:** 50 to 180 VDC, 3VA (for 125V battery)
- Ground Resistors:** 30K \pm 1% from each bus to ground (for 125V battery)
- Voltage Indication:** 0 to \pm 199.9 VDC in 0.6" bright red LED digits and decimal point. Accuracy is \pm 0.2 VDC
- Display Ranges:**
 - A. + Bus to Ground (+ to GND)
 - B. - Bus to Ground (- to GND)
 - C. Ground Fault Voltage (Fault)
 - D. Battery Voltage (BAT)
- Scanning:** Scan button used to select desired display ranges above.
- Alarms:** (Not Scanned)
 - A. "+ Fault Alarm" LED lights. Set range is 13.0 to 100.0 V.
 - B. "- Fault Alarm" LED lights. Set range is -13.0 to -100.0 V.
 - C. "Hi Battery Alarm" LED lights. Set range is 125.0 to 150.0 V (preset at 142.0 VDC).
 - D. "Lo Battery Alarm" LED lights. Set range is 100.0 to 125.0 V (preset at 105.0 VDC).
 - E. Open Battery contact closes when battery is open or high resistance is detected, or when AC Ripple input voltage component exceeds set value (.02 - 2V) for 1 second or more. The Alarm LED blinks.
 - F. AC Power Loss: Alarms when AC input to the charger falls below 70V (normal input is 110-240VAC).
- Time Delay:** Can be set from 5 to 60 seconds
- Reset:** Panel pushbutton or remote contact closure will reset an alarm provided the cause is removed.
- Contact Rating:** 2A at 120 VAC or 28 VDC, 25 mA at 150 VDC
- Voltages:**
 - 125 VDC: P/N 25-498-J3.0-BB-125-A
 - 48 VDC: P/N 25-498-J3.0-BB-48-A
 - 250 VDC: P/N 25-498-J3.0-BB-250-A

Rear Terminal Post Connections



Other ARGAs Control Products



Optional Ground Fault Detector: SPECIFICATIONS

- Operation:** Handheld unit with ON/OFF and volume adjust switch
- Indication:** LED and audible indicators for detected ground faults

